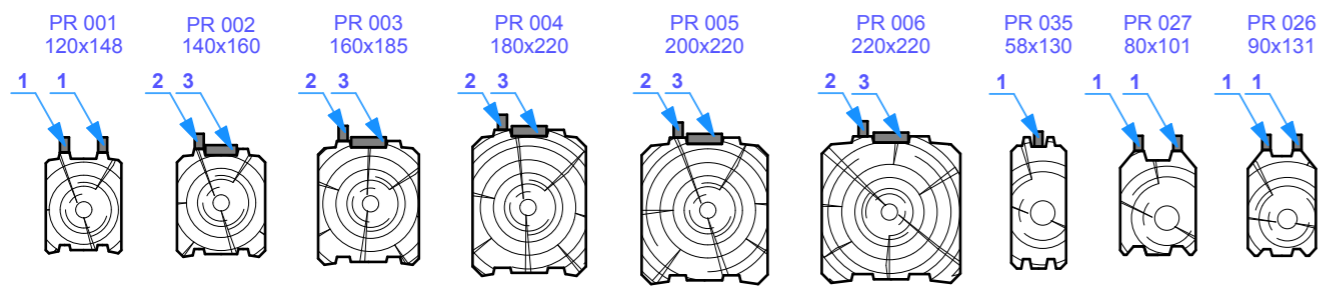


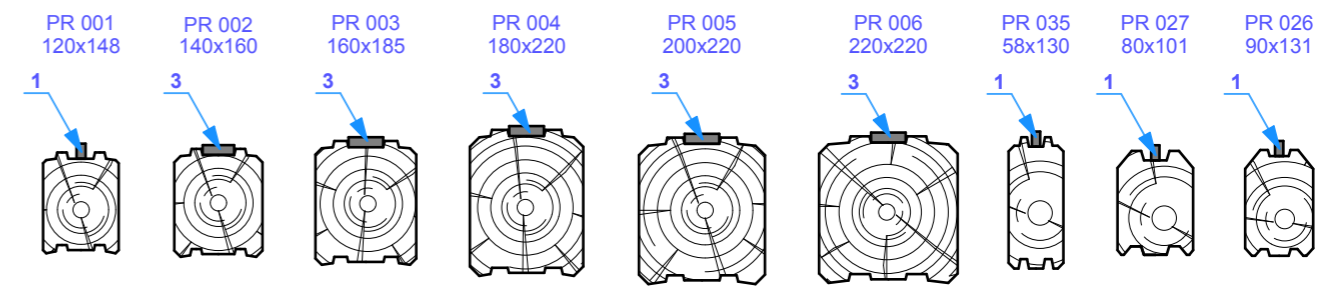
OUTER WALL (left side is the outer log side)

INNER WALL

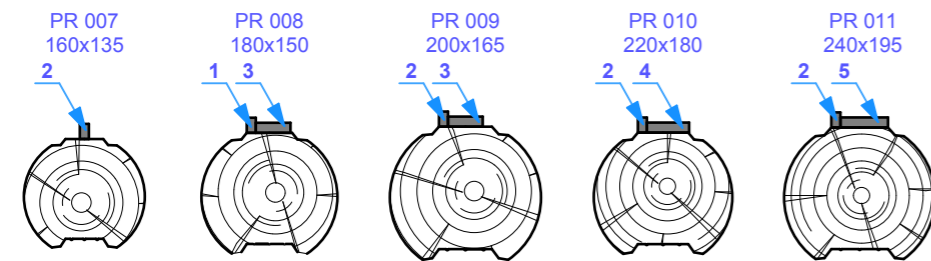
SQUARE LOGS (MASSIVE WOOD)



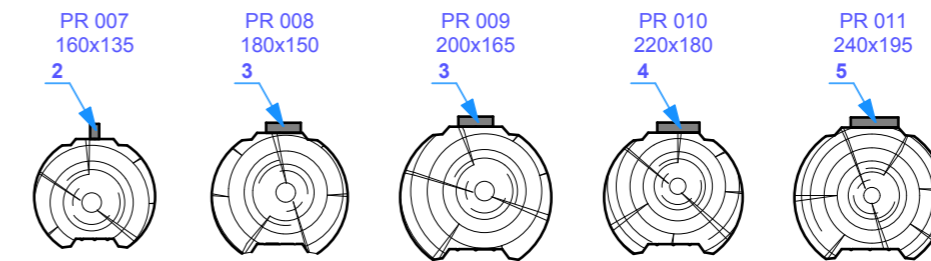
SQUARE LOGS (MASSIVE WOOD)



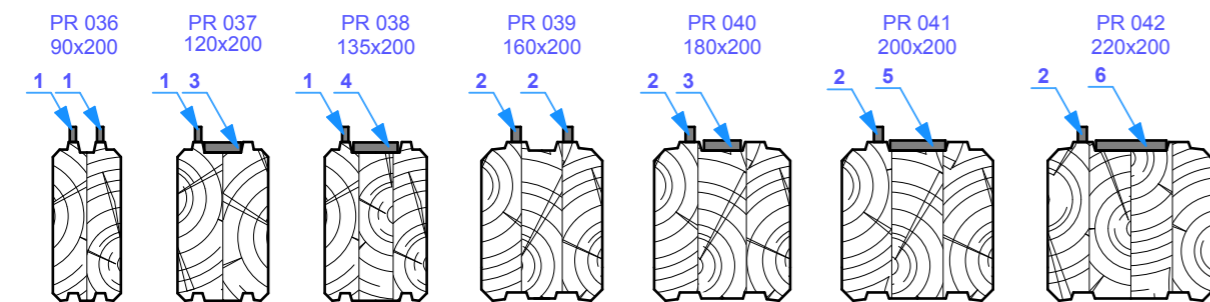
ROUND LOGS (MASSIVE WOOD)



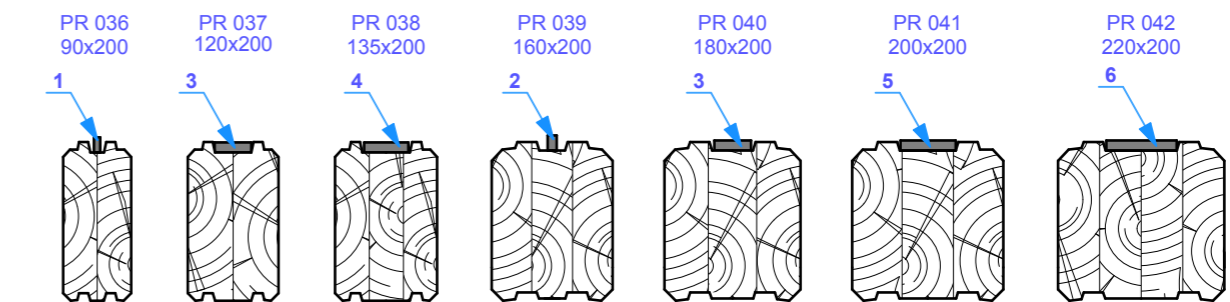
ROUND LOGS (MASSIVE WOOD)



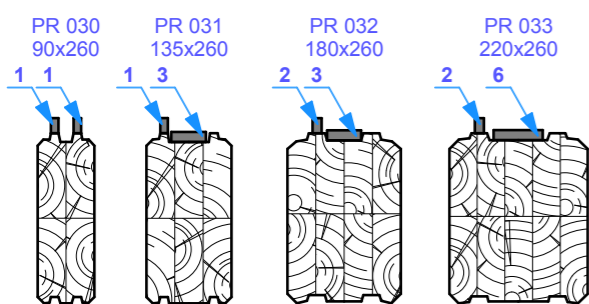
LAMINATED LOGS (200)



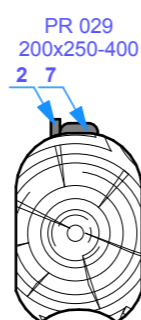
LAMINATED LOGS (200)



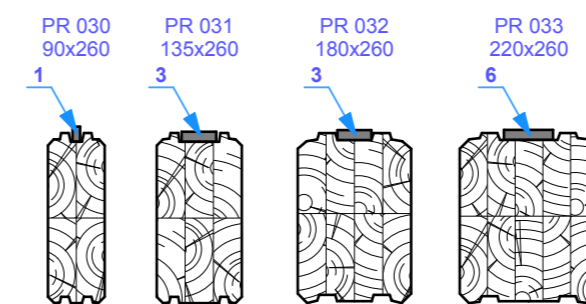
LAMINATED LOGS (260)



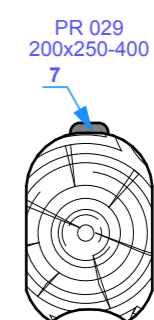
NORWEGIAN LOG (MASSIVE WOOD)



LAMINATED LOGS (260)



NORWEGIAN LOG (MASSIVE WOOD)



Specification:

1. Expansive sealant strip (adhesive): "Penosil" 10x20 mm
2. Expansive sealant strip (adhesive): "Penosil" 15x20 mm
3. Thermic sealant: "PPTermo" 50 mm
4. Thermic sealant: "PPTermo" 60 mm
5. Thermic sealant: "PPTermo" 70 mm
6. Thermic sealant: "PPTermo" 90 mm
7. Sheep wool

Dreamhouse UAB Company code: 301830692					Sealant strips	Version
Position	N. Surname	Signature	Date			
					Page	Pages